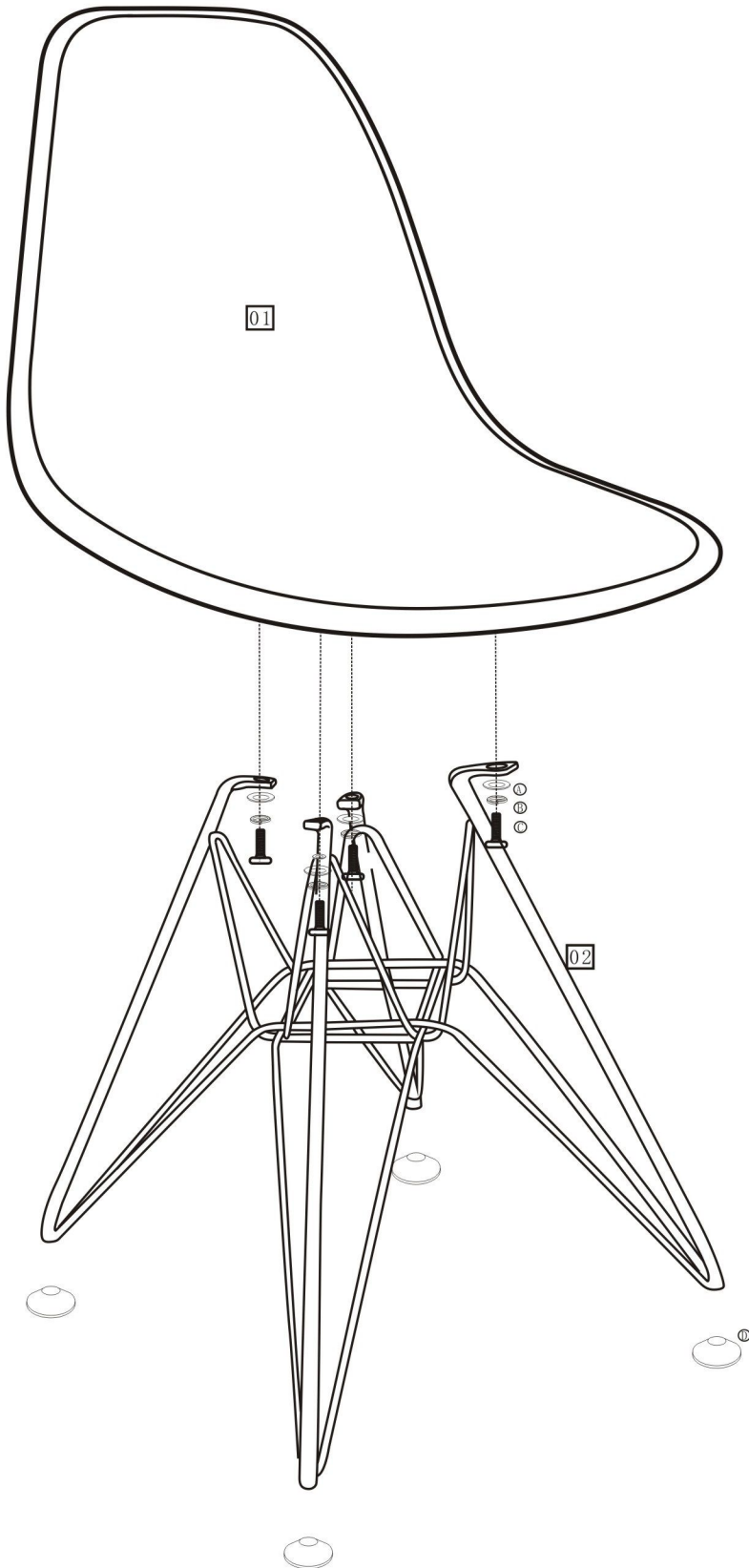


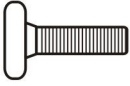



ASSEMBLY INSTRUCTION

COMPONENT PARTS



FITTINGS

- Ⓐ  X4
- Ⓑ  X4
- Ⓒ  X4
- Ⓓ  X4

COMPONENT CHECKLIST

PART	No.	Qty.	
Seat	01	1	<input type="checkbox"/>
tube	02	1	<input type="checkbox"/>

TOOLS REQUIRED



Allen key (supplied)